

Complete

**Grain Processing & Storage**  
Solutions

## We Specialize In:

- Rice Mill Machinery
- Dal Mill Machines
- Grain Storage Silos
- Aata Chakki Plant



Click To Whatsapp



Click To Call

+919350646845



Click To Email



Click To Website





# About Us



An ISO 9001:2000 Certified Company

Established as a Pvt.Limited Company firm in the year 2003, We “Annapurna Agronics Machinery Pvt. Ltd.” are a leading Manufacturer, Wholesaler and Trader of a wide range of Paddy Separator, Dry Destoner, Gravity Separator, etc. All our products combine efficiency, quietness, and quality with unrivaled ease of use. Developed using the influx technology, our range is fabricated from the quality raw material that is procured from the reliable vendors of the industries. With a rich industrial experience and a state of art manufacturing facility, we bring out an exclusive range of industrial machinery & equipment. With durability and high functionality, these equipment are widely used in engineering as well as agricultural sectors. We also undertake complete job works starting from planning to equipment’s designing, construction, installation & commissioning.

At Annapurna Agronics Machinery Pvt. Ltd., we utilize the latest technology to develop our range of machinery. We ensure that the raw materials used in fabrication are sourced from reliable vendors in the industry. With our rich industrial experience and state-of-the-art manufacturing facility, we offer an exclusive range of industrial machinery and equipment.

Our equipment is not only durable but also highly functional, making them suitable for both engineering and agricultural sectors. We take pride in our ability to undertake complete job works, starting from planning to equipment design, construction, installation, and commissioning. This comprehensive approach allows us to cater to the specific needs of our customers and provide them with tailored solutions.

We believe in delivering products that meet the highest standards of quality and performance. Our team of skilled professionals ensures that every machine undergoes stringent quality checks before it is delivered to our customers. This commitment to excellence has helped us build a strong reputation in the industry.

Customer satisfaction is at the core of our business philosophy. We strive to provide exceptional service and support to our clients at every stage of their interaction with us. Our dedicated customer support team is always available to address any queries or concerns that our customers may have.

At Annapurna Agronics Machinery Pvt. Ltd., we are driven by a passion for innovation and a commitment to advancing the agricultural industry. Through our cutting-edge products and services, we aim to contribute to the growth and development of the farming community.

We are proud of our accomplishments and look forward to continuing our journey of providing top-quality machinery and equipment to meet the evolving needs of the agricultural sector.



# Rice Mill Machinery



An ISO 9001:2000 Certified Company

Product Brochure



Pre & Fine Cleaner



Vibro Cleaner



Vibro De-Stoner



Mini De-Stoner



Paddy De-Husker



Husk Aspirator



Paddy Separator



Rice Whitener



Silky Polisher

# Rice Mill Machinery



An ISO 9001:2000 Certified Company

Product Brochure



Thick & Thin Grader



Bran Centrifugal



Rice Length Grader



Round Shifter



Bucket Elevator



Powder Packaging



Color Sorter



Fine Cleaner



Husk Fan



# Dal Mill Machines



An ISO 9001:2000 Certified Company



Drum Sieve



Gravity Separator



Emery Roll



Dal Polisher



Centrifugal



Magnetic Separator



Duck Aspiration



# Grain Storage Silos



An ISO 9001:2000 Certified Company



Grain Storage Silos System



Hopper Bottom Silos



Zincalume Water Storage Tank





# Aata Chakki Plant



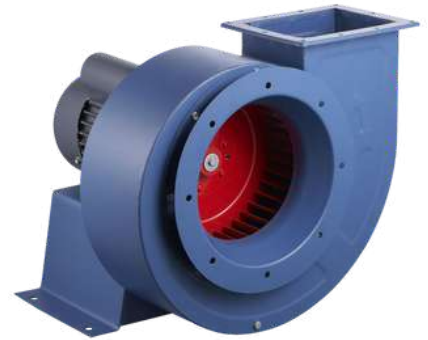
An ISO 9001:2000 Certified Company



Aata Chakki Plant



Purifier



Centrifugal fan



Scorer



Magnetic Separator



Inclined Dampener



Roll Body



Plan Shifter



Pre Cleaner

# Aata Chakki Plant



Destoner



Vibro Classifier



Duck Aspiration

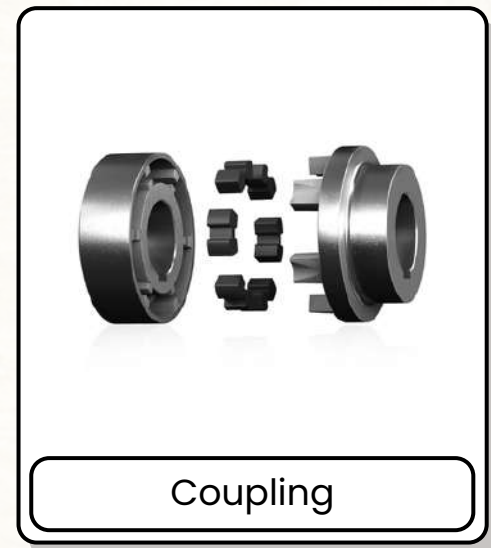
## Accessories



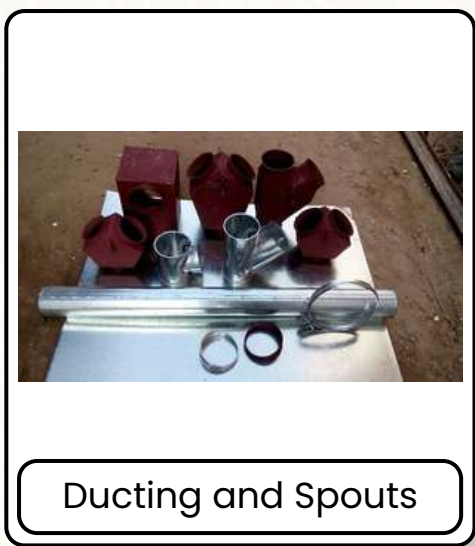
Cyclone



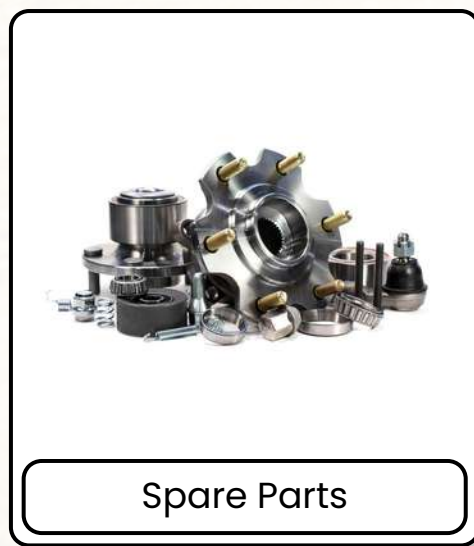
Air Lock



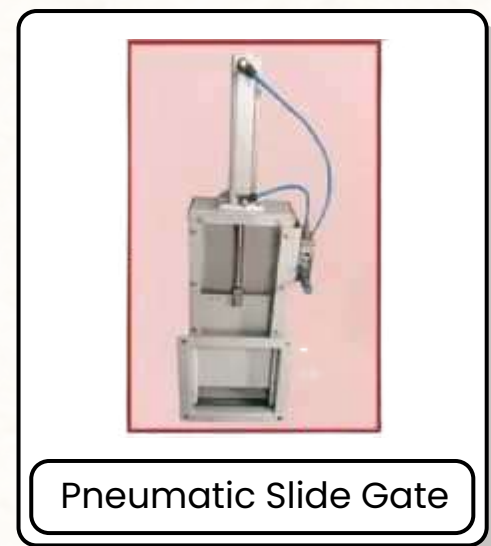
Coupling



Ducting and Spouts



Spare Parts



Pneumatic Slide Gate





An ISO 9001:2000 Certified Company

# *Annapurna* Agronics Machinery (P) Ltd.

**Address :-** Plot No. 228, G.T. Karnal Road, Budhpur  
Delhi - 110036, India

**Mobile No. :-** +91-9350646845

**Email :-** [sales@annapurnaagronics.com](mailto:sales@annapurnaagronics.com)

**Website :-** [www.annapurnaagronics.com](http://www.annapurnaagronics.com)